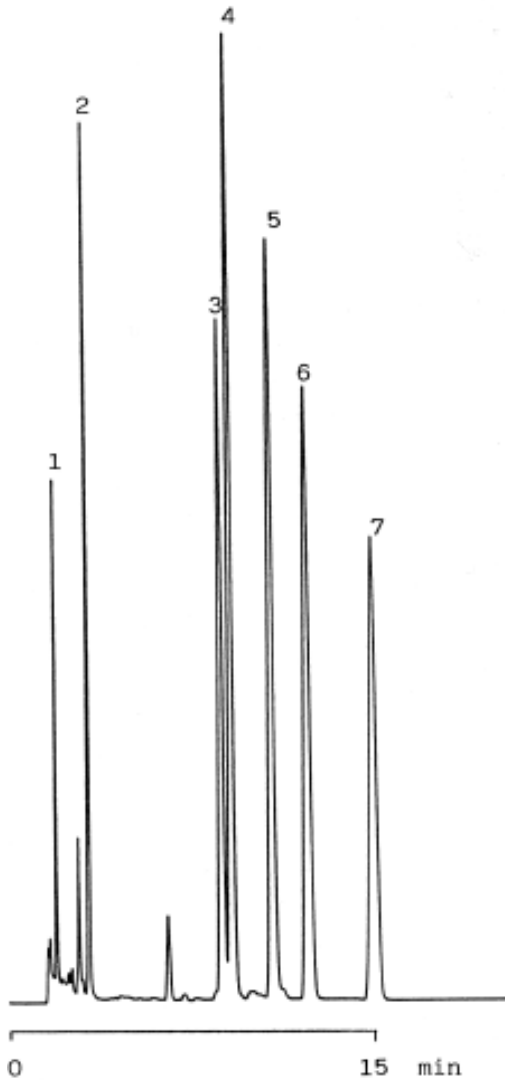


## Fat-soluble Vitamins



Column :Inertsil ODS-2  
           5µm  
           250 × 4.6 mm I.D.  
 Column Cat. No. :5020-01102  
 Eluent :CH<sub>3</sub>CN/CH<sub>3</sub>OH = 75/25  
 Flow rate :1.0 mL/min.  
 Col. Temp. :40°C  
 Detection :UV 280 nm  
 Injection Vol. :  
 Sample :Fat-soluble Vitamins

Solutes : 1. Vitamin K3  
           2. Vitamin A  
           3. Vitamin D2  
           4. Vitamin D3  
           5. Vitamin E  
           6. Vitamin E acetate  
           7. Vitamin K1