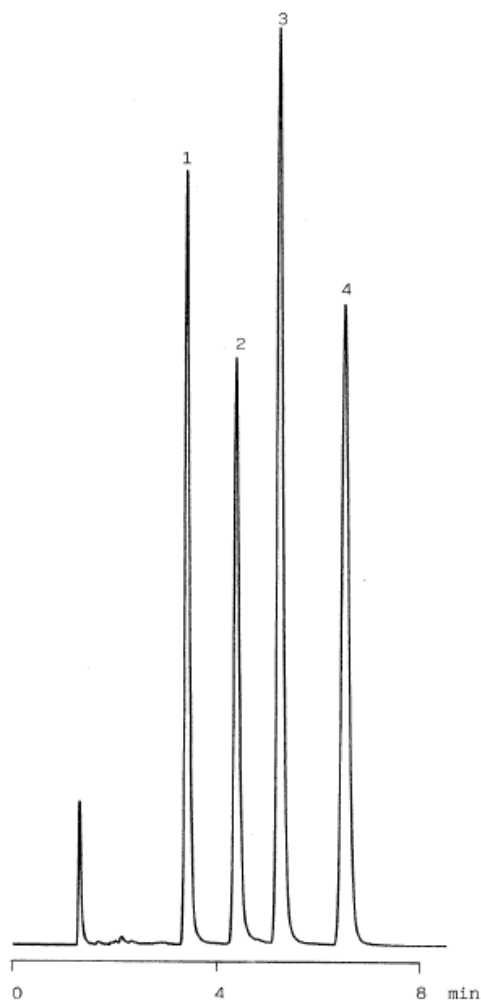


InertSearch™ for LC

Inertsil® Applications

Pesticides

Data No. LA275-0000



Column : Inertsil C4
5 μ m
150 \times 4.6mm I.D.

Column Cat. No. : 5020-01401

Eluent : THF/10mM KH₂PO₄+0.1% EDTA-2Na
(pH 3.5 by H₃PO₄)=70/30

Flow rate : 1.0 mL/min.

Col. Temp. :

Detection : UV 254 nm

Injection Vol. :

Sample :

Solutes : 1. Asulam 130 μ g/mL
2. Oxine-copper 40 μ g/mL
3. Acetophenone 0.14 μ g/mL
4. Thiuram 190 μ g/mL